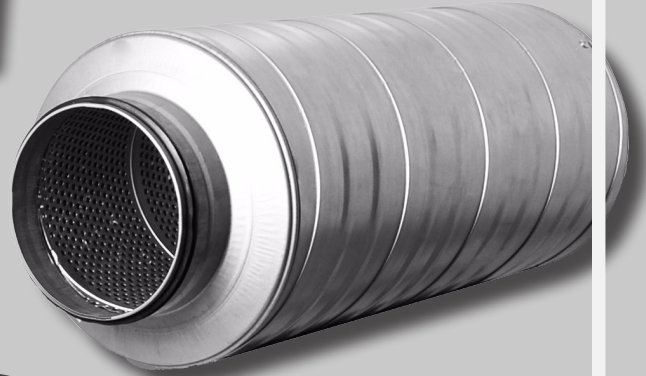
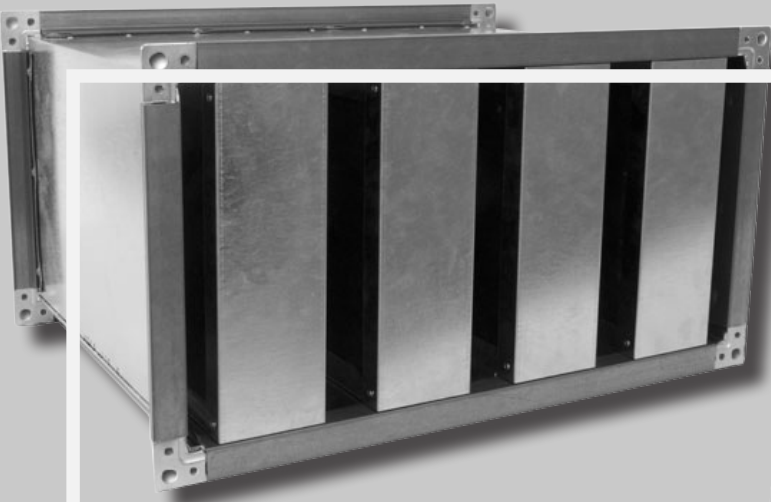


20/21  
PRODUCTS



Product Catalogue

# Sound Attenuator

Type ( SAT )



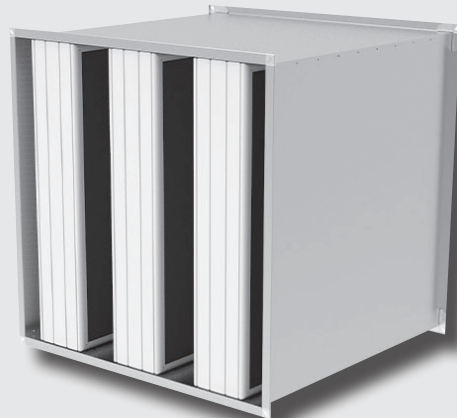
**Khedr Trust**  
ALL AIR PRODUCTS

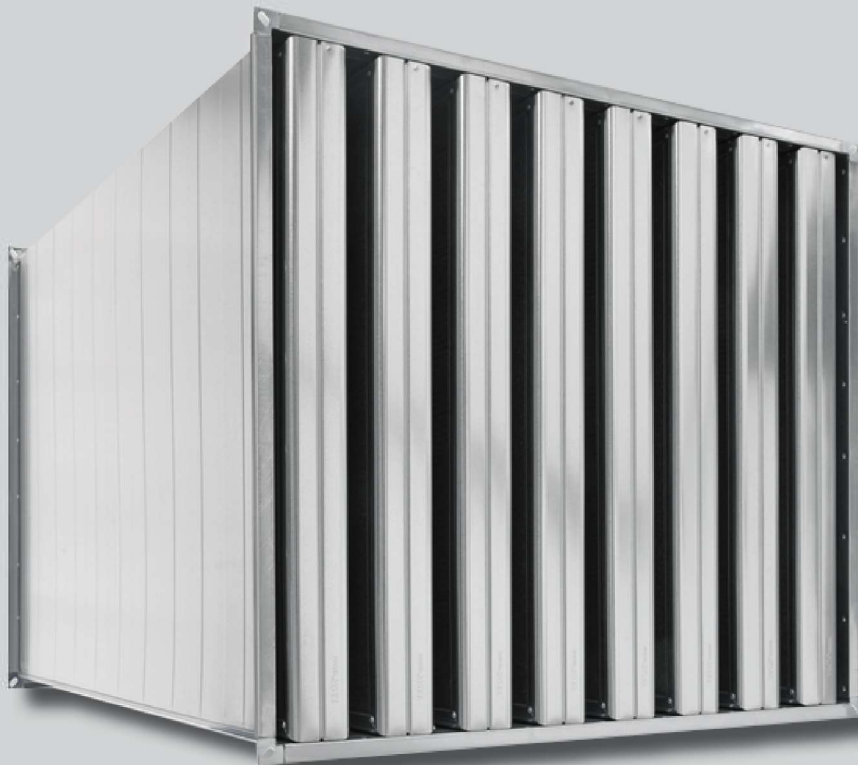
Sound Attenuator products are  
manufactured by



“ Your comfort is  
our priority ”

[www.khedr-eg.com](http://www.khedr-eg.com)





### Models

#### Rectangular Type

- SAT-S "Standard Pressure Drop"
- SAT-M "Medium Pressure Drop"
- SAT-L "Low Pressure Drop"

#### Round Type

- SAT-R "Round type"



### Features

- Outer Casing are 20 G Galvanized Steel.
- Baffles are 20 G perforated galvanized steel filled with an inorganic sound absorbing material.

# Sound Attenuator

## Model Design

Khedr Sound Attenuator are designed for sound level regulation.

## Appearance

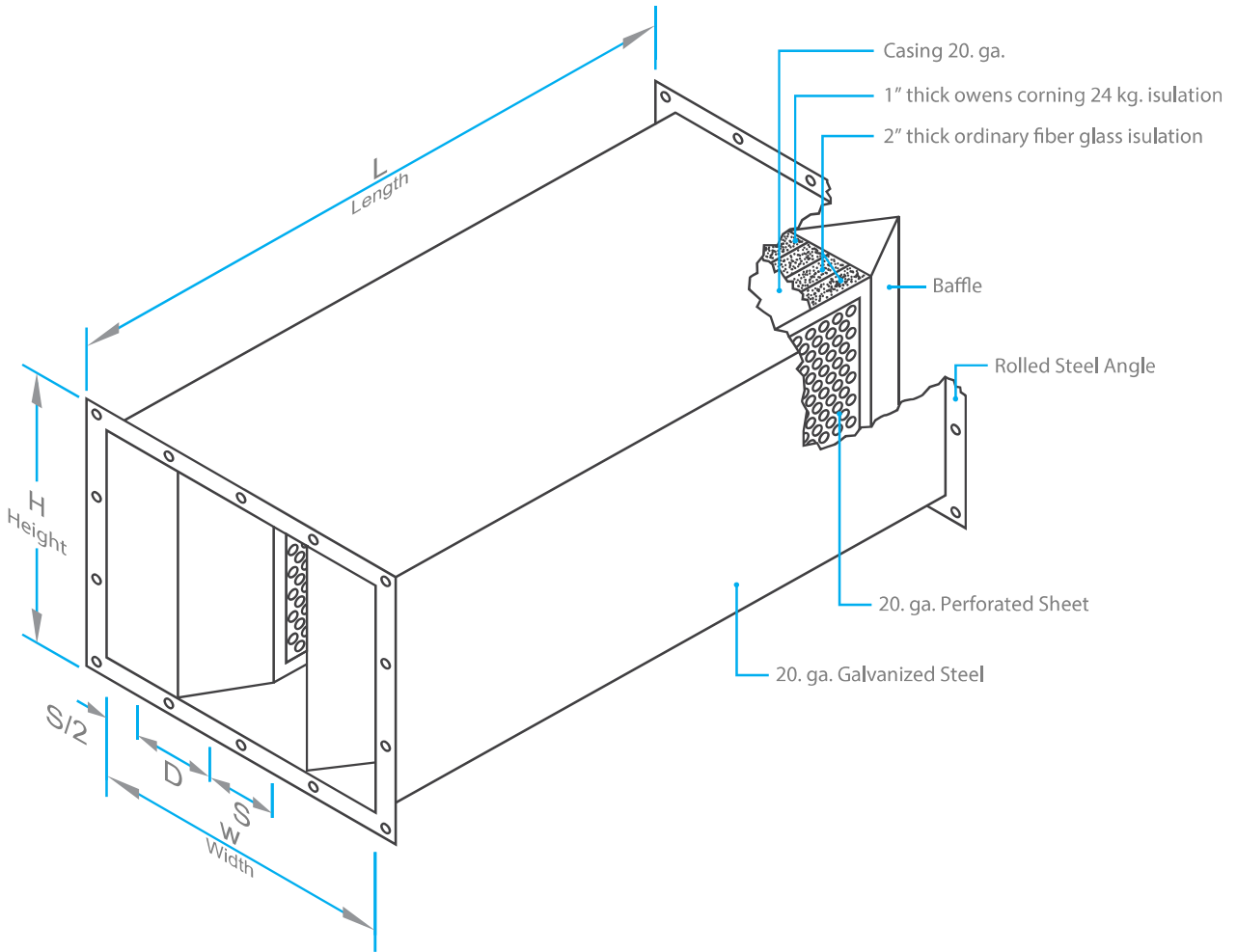
The sound level inside every space is critical factor and shall be below the recommendation of ASHREA recommendations.

## Model Shapes

Available in Rectangular and Round shapes.

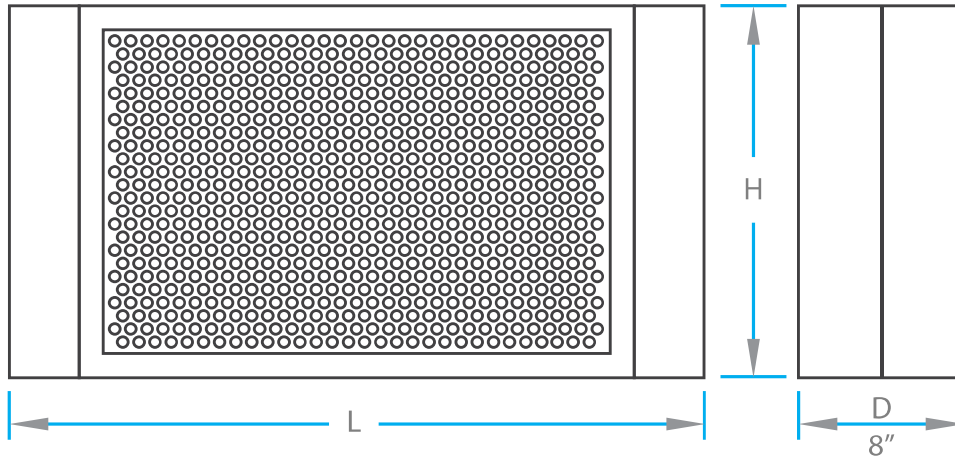
**- Construction & Specs.**

**A. Type (SAT-S) - Standard Pressure Drop**

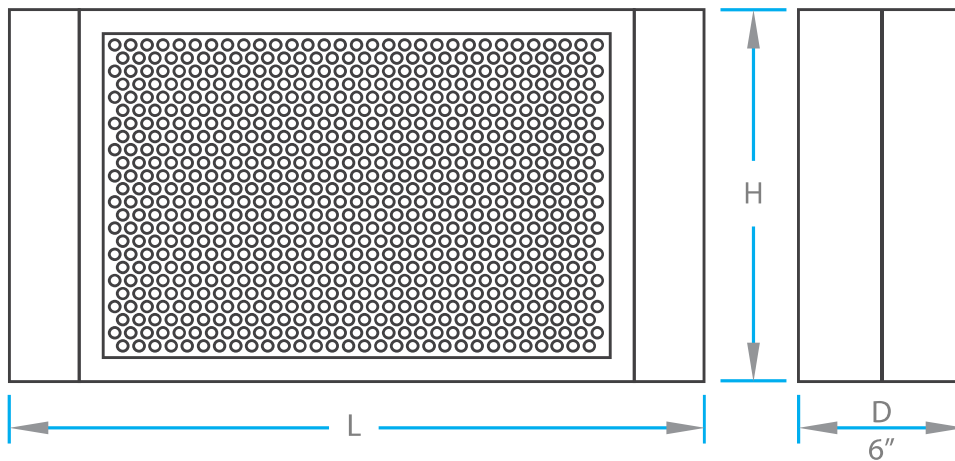


**A. Type (SAT-S) – Standard Pressure Drop**

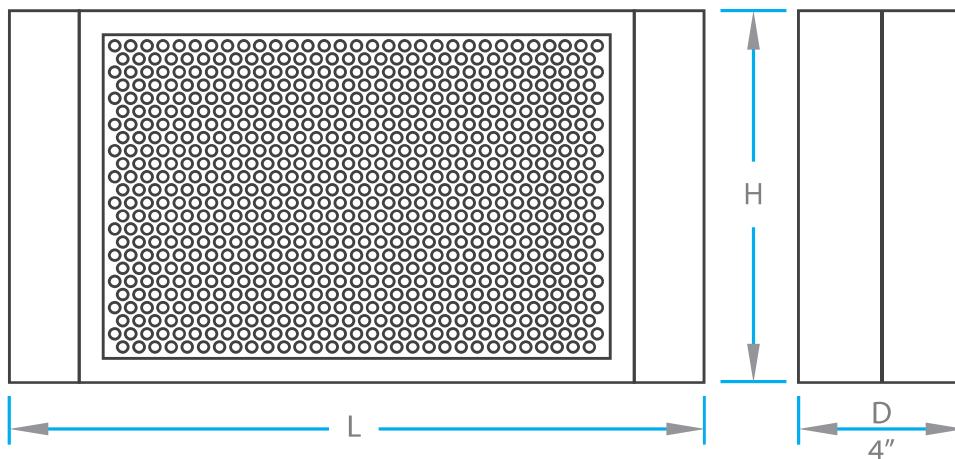
25 % Free Area

**B. Type (SAT-M) – Medium Pressure Drop**

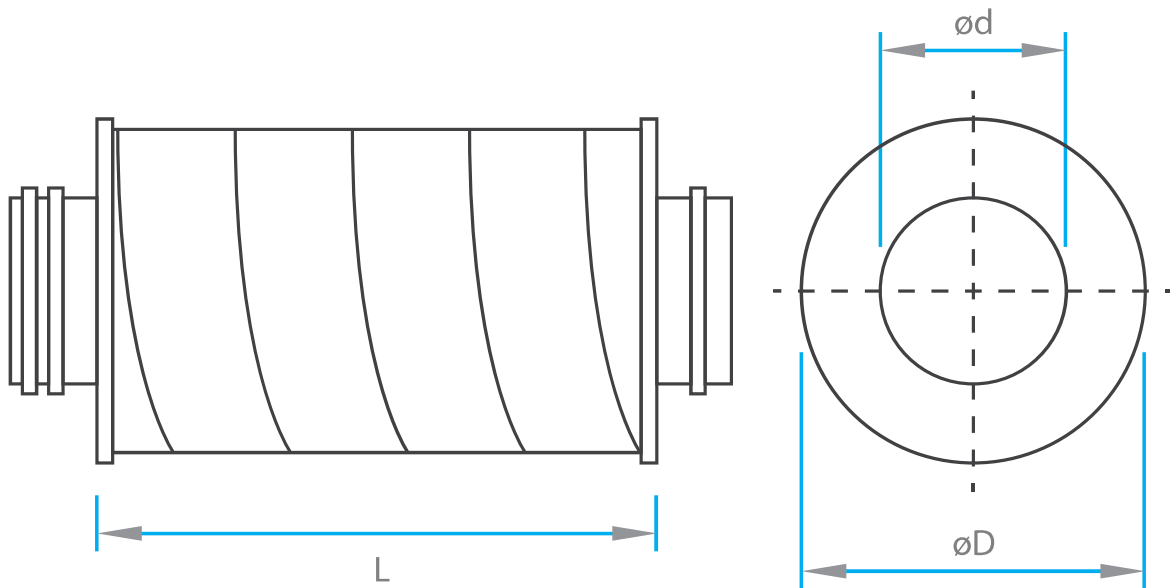
33 % Free Area

**C. Type (SAT-L) – Low Pressure Drop**

50 % Free Area



### D. Type (SAT-R) – Round Type



Size	Ød	ØD	L			
100	100	200	300	600	900	1200
125	125	224	300	600	900	1200
200	200	315	300	600	900	1200
250	250	355	-	600	900	1200
315	315	500	-	600	900	1200
400	400	600	-	600	900	1200

Sound Attenuator products are manufactured by Khedr Trust Co.

## - Aerodynamic Performance

### A. Type (SAT-S) - Standard Pressure Drop

Size W X H (In.)	Face Velocity "FPM"									
	650	800	1000	1100	1200	1300	1500	1600	1700	1800
	Air Volume "CFM"									
12 x 6	325	400	500	550	600	650	750	800	850	900
12 x 12	650	800	1000	1100	1200	1300	1500	1600	1700	1800
12 x 18	975	1200	1500	1650	1800	1950	2250	2400	2550	2700
12 x 24	1300	1600	2000	2200	2400	2600	3000	3200	3400	3600
12 x 30	1625	2000	2500	2750	3000	3250	3750	4000	4250	4500
24 x 18	1950	2400	3000	3300	3600	3900	4500	4800	5100	5400
24 x 24	2600	3200	4000	4400	4800	5200	6000	6400	6800	7200
24 x 30	3250	4000	5000	5500	6000	6500	7500	8000	8500	9000
24 x 36	3900	4800	6000	6600	7200	7800	9000	9600	10200	10800
Length (In.)	Static Pressure Drop (In. w.g.)									
36	0.12	0.18	0.28	0.34	0.40	0.48	0.65	0.74	0.84	0.93
60	0.14	0.22	0.35	0.42	0.50	0.59	0.78	0.89	1.00	1.13
84	0.17	0.25	0.39	0.48	0.57	0.67	0.89	1.01	1.12	1.29

Sound Attenuator products are manufactured by Khedr Trust Co.

## B. Type (SAT-M) – Medium Pressure Drop

Size W X H (In.)	Face Velocity "FPM"									
	650	900	1100	1400	1600	1800	2000	2200	2400	2500
	Air Volume "CFM"									
12 x 6	325	450	550	700	800	900	1000	1100	1200	1250
12 x 12	650	900	1100	1400	1600	1800	2000	2200	2400	2500
12 x 18	975	1350	1650	2100	2400	2700	3000	3300	3600	3750
12 x 24	1300	1800	2200	2800	3200	3600	4000	4400	4800	5000
12 x 30	1625	2250	2750	3500	4000	4500	5000	5500	6000	6250
24 x 18	1950	2700	3300	4200	4800	5400	6000	6600	7200	7500
24 x 24	2600	3600	4400	5600	6400	7200	8000	8800	9600	10000
24 x 30	3250	4500	5500	7000	8000	9000	10000	11000	12000	12500
24 x 36	3900	5400	6600	8400	9600	10800	12000	13200	14400	15000
Length (In.)	Static Pressure Drop (In. w.g.)									
36	0.04	0.08	0.13	0.20	.27	0.34	0.43	0.52	0.61	0.67
60	0.04	0.11	0.16	0.26	0.34	0.44	0.54	0.65	0.78	0.84
84	0.06	0.12	0.18	0.29	0.37	0.47	0.59	0.71	0.85	0.92

Sound Attenuator products are manufactured by Khedr Trust Co.

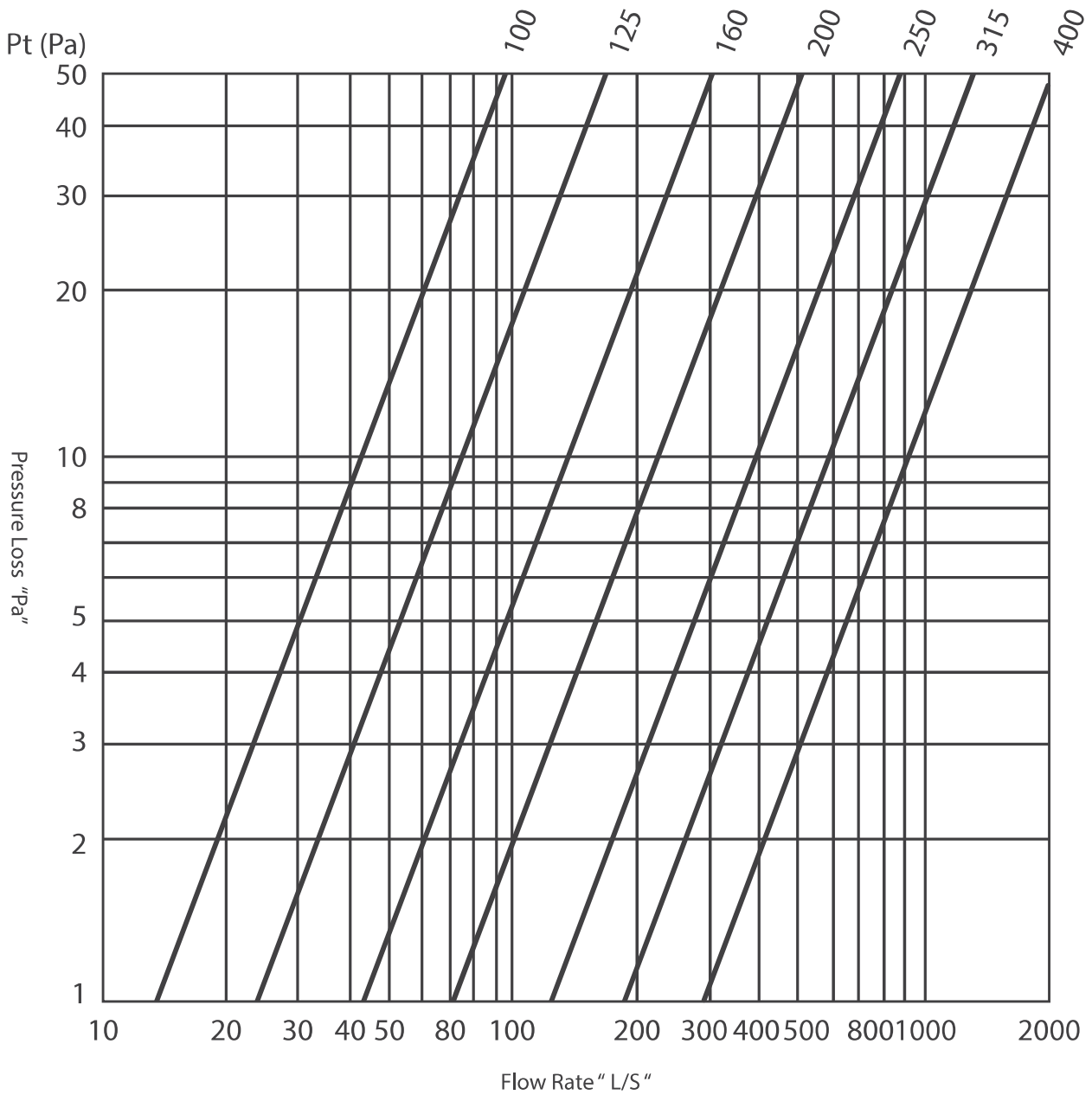


### C. Type (SAT-L) – Low Pressure Drop

Size W X H (In.)	Face Velocity "FPM"									
	900	1200	1500	1800	2000	2200	2400	2600	2800	3000
	Air Volume "CFM"									
12 x 6	450	600	750	900	1000	1100	1200	1300	1400	1500
12 x 12	900	1200	1500	1800	2000	2200	2400	2600	2800	3000
12 x 18	1350	1800	2250	2700	3000	3300	3600	3900	4200	4500
12 x 24	1800	2400	3000	3600	4000	4400	4800	5200	5600	6000
12 x 30	2250	3000	3750	4500	5000	5500	6000	6500	7000	7500
24 x 18	2700	3600	4500	5400	6000	6600	7200	7800	8400	9000
24 x 24	3600	4800	6000	7200	8000	8800	9600	10400	11200	12000
24 x 30	4500	6000	7500	9000	10000	11000	12000	13000	14000	15000
24 x 36	5400	7200	9000	10800	12000	13200	14400	15600	16800	18000
Length (In.)	Static Pressure Drop (In. w.g.)									
36	0.05	0.08	0.12	0.17	0.21	0.26	0.30	0.35	0.41	0.46
60	0.06	0.10	0.15	0.22	0.27	0.32	0.38	0.45	0.51	0.59
84	0.07	0.12	0.18	0.26	0.31	0.38	0.45	0.52	0.60	0.69

Sound Attenuator products are manufactured by Khedr Trust Co.

**D. Type (SAT-R) - Round Type**



## A. Type (SAT-S) – Standard Pressure Drop

Dynamic Insertion Loss (dB) \*

Length (In.)	Face Velocity (FPM)	Octave Band & Center Frequency (HZ)							
		1	2	3	4	5	6	7	8
		63	125	250	500	1000	2000	4000	8000
36	0	5	8	18	29	33	33	22	15
	1000	5	7	17	27	33	32	22	14
	2000	3	7	16	26	33	32	22	14
60	0	6	12	24	40	54	53	34	20
	1000	6	11	24	40	54	50	34	20
	2000	5	10	23	38	50	48	32	20
84	0	8	17	37	46	57	60	51	28
	1000	7	16	33	45	57	58	50	29
	2000	5	14	33	45	54	54	50	29
120	0	9	24	44	48	59	65	63	40
	1000	8	23	44	48	59	65	62	42
	2000	7	21	41	46	56	62	58	42

Sound Attenuator products are manufactured by Khedr Trust Co.

Insertion loss :

The difference between two sound power levels when measured at the same point before and after the silencer is installed.

Dynamic Insertion Loss : The Reduction in sound pressure level expressed in decibels.

Octave Band :

A range of frequencies where the highest frequency of the band is double the lowest frequency in the band, the band is specified by the center frequency.

## B. Type (SAT-M) - Medium Pressure Drop

Dynamic Insertion Loss (dB) \*

Length (In.)	Face Velocity (FPM)	Octave Band & Center Frequency (HZ)							
		1	2	3	4	5	6	7	8
		63	125	250	500	1000	2000	4000	8000
36	0	3	7	12	22	30	28	18	14
	1000	3	6	12	20	30	28	18	14
	2000	2	4	11	20	28	27	17	13
60	0	5	9	18	35	50	47	28	17
	1000	5	9	18	34	49	47	27	18
	2000	4	8	17	32	46	47	27	20
84	0	6	12	26	44	58	60	34	20
	1000	6	11	26	43	58	60	35	22
	2000	5	10	24	42	56	54	36	24
120	0	7	20	39	48	60	65	68	28
	1000	7	20	38	47	59	63	58	32
	2000	6	18	34	47	56	58	56	37

Sound Attenuator products are manufactured by Khedr Trust Co.

Insertion loss : The difference between two sound power levels when measured at the same point before and after the silencer is installed.

Dynamic Insertion Loss : The Reduction in sound pressure level expressed in decibels.

Octave Band : A range of frequencies where the highest frequency of the band is double the lowest frequency in the band, the band is specified by the center frequency

### C. Type (SAT-L) – Low Pressure Drop

Dynamic Insertion Loss (dB) \*

Length (In.)	Face Velocity (FPM)	Octave Band & Center Frequency (HZ)							
		1	2	3	4	5	6	7	8
		63	125	250	500	1000	2000	4000	8000
36	0	2	7	12	17	25	20	14	10
	1000	2	7	11	16	24	19	13	10
	2000	1	5	10	15	22	19	12	9
60	0	3	8	15	28	43	34	20	12
	1000	2	7	14	27	42	33	20	12
	2000	2	7	13	25	41	33	20	12
84	0	6	10	21	37	56	46	25	15
	1000	5	9	20	37	56	46	25	15
	2000	4	8	19	33	54	47	26	16
120	0	6	15	29	47	57	61	38	19
	1000	5	14	27	46	57	61	40	22
	2000	5	13	25	45	55	55	42	24

Sound Attenuator products are manufactured by Khedr Trust Co.

Insertion loss :

The difference between two sound power levels when measured at the same point before and after the silencer is installed.

Dynamic Insertion Loss : The Reduction in sound pressure level expressed in decibels.

Octave Band :

A range of frequencies where the highest frequency of the band is double the lowest frequency in the band, the band is specified by the center frequency

## D. Type (SAT-R) – Round Type

Dynamic Insertion Loss (dB) \*

Size	Length (mm)	Octave Band & Center Frequency (HZ)							
		1	2	3	4	5	6	7	8
		63	125	250	500	1000	2000	4000	8000
100	300	2	7	12	17	25	20	14	10
	600	5	7	12	24	37	45	35	24
	900	6	10	19	32	45	50	45	27
	1200	7	12	26	40	50	50	50	38
125	300	3	8	15	28	43	34	20	12
	600	3	6	10	21	30	37	32	17
	900	4	9	16	30	40	50	38	25
	1200	5	12	21	39	50	50	44	33
200	300	2	2	5	10	15	18	11	10
	600	3	3	8	13	18	22	13	12
	900	3	5	11	20	30	35	20	17
	1200	4	7	15	27	42	48	27	19
250	300	2	2	4	9	14	13	6	5
	600	2	2	5	10	16	15	8	6
	900	2	4	8	15	23	24	12	9
	1200	3	6	11	20	31	34	17	11
315	300	1	2	3	5	9	6	5	2
	600	1	3	4	7	10	7	6	2
	900	1	4	7	12	17	14	8	4
	1200	2	5	9	17	25	21	10	6
400	300	1	2	2	5	9	5	5	2
	600	1	3	3	7	10	7	5	3
	900	1	3	5	11	15	10	6	3
	1200	2	4	7	15	20	13	7	3

Sound Attenuator products are manufactured by Khedr Trust Co.

Insertion loss :

The difference between two sound power levels when measured at the same point before and after the silencer is installed.

Dynamic Insertion Loss : The Reduction in sound pressure level expressed in decibels.

Octave Band :

A range of frequencies where the highest frequency of the band is double the lowest frequency in the band, the band is specified by the center frequency

**- How to order**

<b>Type</b>	SAT-S	SAT-S SAT-M SAT-L SAT-R	Standard Pressure Drop Medium Pressure Drop Low Pressure Drop Round Type	Sound Attenuator products are manufactured by Khedr Trust Co.
<b>Size</b>	24 x 24	Size "Inch"		
<b>Length</b>	60	Length "Inch"		

Other Products are provided by Khedr Trust Co.

#### Diffusers & Grilles

- Squar Ceiling Diffuser
- Circular Ceiling Diffuser
- Slot Linear Diffuser
- Linear Bar Grille
- Aluminum Grille
- Swirl Diffuser
- Perforated Ceiling Diffuser
- Disc Valve Diffuser
- Jet Diffuser
- Eye Ball Diffuser
- Door Grille
- Raised Floor Grid

#### Louvers

- Aluminum Louver
- Sand Trap Louver

#### Dampers

- Blade Volume Damper
- Toothed Wheel Volume Damper
- Gravity Shutter Damper

#### Acoustics

- Sound Attenuator
- Acoustic Louver

#### Smoke Management

- Fire Damper
- Smoke Motorized Damper
- Smoke Vent

#### Duct Works

- Galvanized Steel Duct
- Black Steel Duct
- Stainless Steel Duct
- Spiral Duct
- Flexible Duct
- Canavas
- Flanges
- Flexible Duct Connector



# Khedr Trust

ALL AIR PRODUCTS



Alqanater Alkhairia roads.Industrial Area, Behind Cocacola Co., Cairo, Egypt

Mailing Address : P.O.Box 13621, Cairo 11511 - Egypt

Tel : +202 42452022

Mob : +2010 29999054 / +2010 29999056

+2010 29999057 / +2010 29999058

E-Mail : info@khedr-eg.com

